



# Alfa-V Single Row VCM

## Air-cooled condenser – commercial V-range

### General information & application

Alfa Laval supports a sustainable environment. Therefore our new Alfa-V Single Row air-cooled condenser range has been designed according to the following principles: material wastes have been reduced to an absolute minimum, the V-angle with its exceptional guiding optimizes airflow and low coil resistance reduces energy consumption of the fan motors.

Alfa-V Single Row has been specifically designed for commercial refrigeration and air conditioning. Its main purpose is to reject small to medium heat loads in a modest footprint. But Alfa-V Single Row also offers many other features to comply with the highest demands in state-of-the-art refrigeration installations in for instance city-size supermarkets.

Refrigerants	all H(C)FC
Capacities (SC2)	35 up to 550 kW

### Coil

An innovative coil design based on 5/16" copper tubes and corrugated aluminium turbo fins provides excellent heat transfer at a minimized refrigerant charge. Standard fin spacing is 2.1 mm.

### Casing

Casing material is galvanized steel sheet, pre-painted with an epoxy finish (RAL9002). Separated fan sections.

### Fan motors

Fan motors 400/50/3 available in two fan diameters (800 & 910 mm). The motors are with external rotor, protection class IP54 according to DIN 40050. Integrated thermal protection by thermo contacts provides reliable protection against thermal overload. These fan motors are available in five sound level classes: T=high performance, S=standard, L=low, Q=quiet, and R=residential. Motors are wired to one or more common terminal boxes.

### Options

- Multi-circuiting
- Sub-cooling circuit
- Non-standard fin spacing
- Coil corrosion protection
  - Coil coating
  - Fins seawater resistant aluminium alloy 57S/5052
- Spray water device
- Vibration dampers



Alfa-V Single Row

- Special fan motors
  - 480/3/60 (IP54)
  - EC fan motors
  - Protection class IP55
  - High-temperature motors
  - Explosion proof motors
- Electrical options
  - Isolating switch
  - Motors wired to a common terminal box
  - Switchboard (IP56)
  - EMC approval
  - Fan step control
  - Fan speed control
  - Frequency control

### Certifications

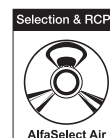
All condenser models are "Eurovent Certify All" certified. The Alfa Laval quality system is in accordance with ISO 9001. All products are manufactured according to CE and PED rules.

### Test

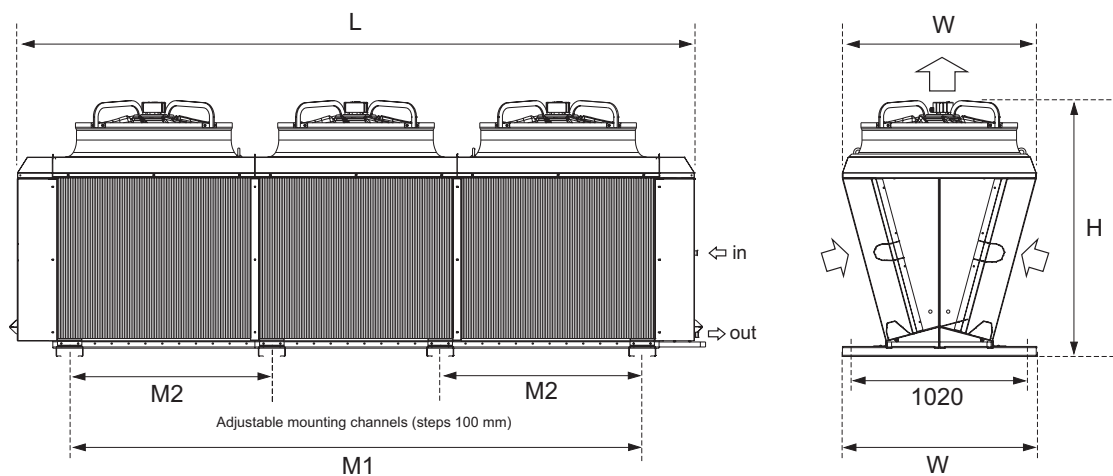
Each heat exchanger undergoes a pressure and leak test with dry air at 35 barg, and is finally supplied with a nitrogen pre-charge.

### Selection

Condenser selection and RCPL pricing is to be performed with our AlfaSelect Air selection software.

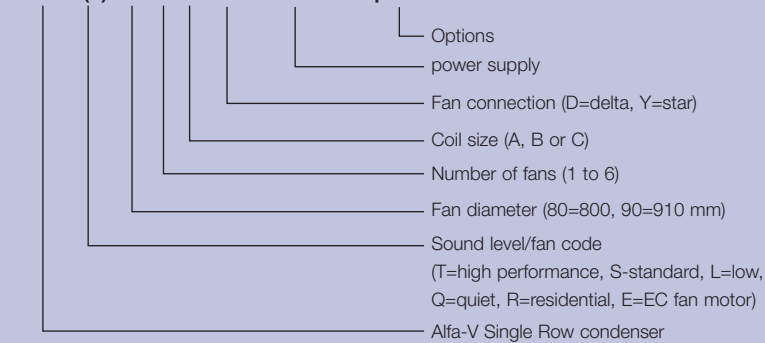


Model	Transport dimensions					Mounting channels		
	Fans no.	Length L mm	Height H mm	Width W mm	Weight kg	no.	M1 mm	M2 mm
VCM 801	1	1635	1451	1150	230	2	800	-
VCM 802	2	2635	1451	1150	393	2	1800	-
VCM 803	3	3635	1451	1150	557	4	2800	800
VCM 804	4	4635	1451	1150	721	4	3800	1000
VCM 805	5	5635	1451	1150	885	4	4800	1800
VCM 806	6	6635	1451	1150	1049	4	5800	1800
VCM 901	1	1836	1520	1150	260	2	1000	-
VCM 902	2	3036	1520	1150	480	2	2200	-
VCM 903	3	4236	1520	1150	700	4	3400	1200
VCM 904	4	5436	1520	1150	920	4	4600	1300
VCM 905	5	6636	1520	1150	1140	4	5800	2200



### Code description

VCM S(E) 80 2 B - D - 230/50/1 - options



### Benefits

- Reduced refrigerant charge
- Excellent sound characteristics, suitable for residential applications
- Reliable performance, Eurovent certified
- Easy installation & maintenance.
- Energy efficient - low total cost of ownership.
- Adjustable mounting feet
- Modern design
- Heavy duty materials for a long product life
- Two-year product guarantee.

ERC00226EN 1007

Alfa Laval reserves the right to change specification without prior notification.

### How to contact Alfa Laval

Up-to-date Alfa Laval contact details for all countries are always available on our website at [www.alfalaval.com](http://www.alfalaval.com)

